

A & M Electric Tools

Ind	Product No.	Type	Voltage	Country	Ind	Product No.	Type	Voltage	Country
a	4000330076	ST500	220-240V	IN2					
c	4000346020	ST500	240V	AUS					
d	4000340834	ST500	240V	GB2					
e	4000361496	ST500	110-127V	IN1					
f	4000330979	ST400	230V	IN2					
g	4000361086	ST500	220V	ROK					
h	4000375005	ST500	220-240V	CHI					
j	4000403166	ST500	220-240V	IR2					

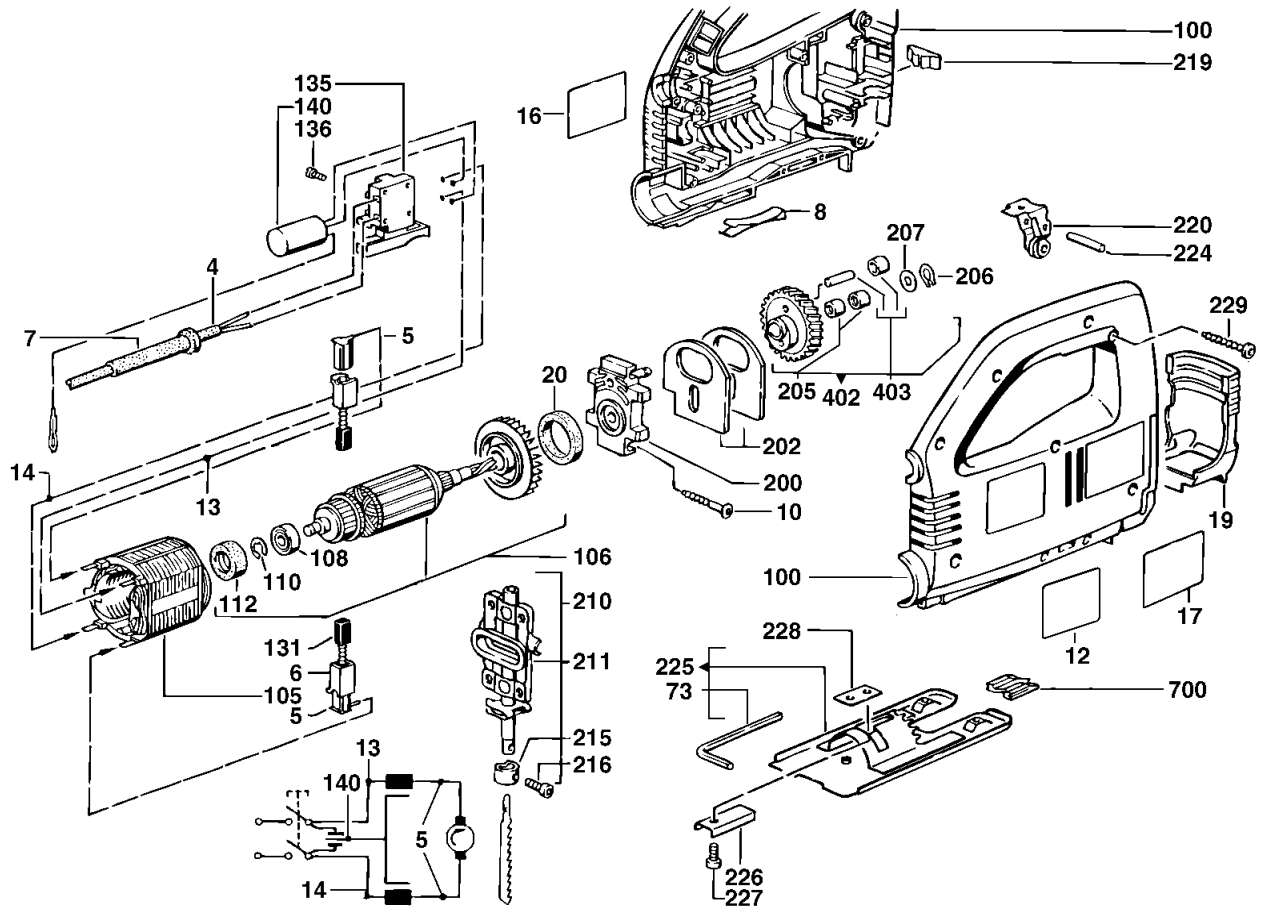
Jig Saws

AEG

ST 500

ST 400

Exp.view No. Version Date Page
4926 3300 82 0013 07.06.06 1/2



Pos	Index	Quanti	Article No.	Designation	Pos	Index	Quanti	Article No.	Designation
0004	a...f.j	1	4931623131	CONNECTION CABLE	0016	.cde..h	1	4931355128	TYPE PLATE
0004	.c	1	4931624331	CONNECTION CABLE	0016	...f	1	4931355128	TYPE PLATE
0004	.d	1	4931623820	CONNECTION CABLE	0017	acde.gh	1	4931330088	SAW TABLE
0004	...e	1	4931623997	CONNECTION CABLE	0017	...f	1	4931357049	SAW TABLE
0004g	1	4931623015	CONNECTION CABLE	0019	acdefghj	1	4931330067	DUST CAP
0004h	1	4931623901	CONNECTION CABLE	0020	acdefghj	1	4931323468	GUIDE ELEMENT
0005	acdefghj	2	4931301136	BRUSH HOLDER	0020	a....g.j	1	4931357000	FELT WASHER
0006	acdefghj	2	4931315039	BRUSH HOLDER	0020	.cdef.h	1	4931357000	FELT WASHER
0007	acdefghj	1	4931206687	CABLE ENTRY SLEEVE	0023	acdefghj	1	4931606738	KEY
0008	acdefghj	1	4931330304	SPRING	0100	acdefghj	1	4931330083	HOUSING
0010	acdefghj	2	4931622522	SCREW	0105	acd.fghj	1	4931365064	ELECTRIC FIELD
0012	a	1	4931346051	RATING PLATE	0105	...e	1	4931364086	ELECTRIC FIELD
0012	.c	1	4931346023	RATING PLATE	0106	acd.fghj	1	4931330636	ARMATURE
0012	.d	1	4931340837	RATING PLATE	0106	...e	1	4931361370	ARMATURE
0012	...e	1	4931361498	RATING PLATE	0108	acdefghj	1	4931902888	BALL BEARING
0012	...f	1	4931330982	RATING PLATE	0110	acdefghj	1	4931621834	WASHER
0012g	1	4931393951	RATING PLATE	0112	acdefghj	1	4931306351	RUBBER SLEEVE
0012h	1	4931375008	RATING PLATE	0131	a....j	1	4931392585	CARBON BRUSH SET
0012j	1	4931403167	RATING PLATE	0131	.cd.f	1	4931361733	CARBON BRUSH SET
0013	acdefghj	1	4931253752	WIRE	0131	...e	1	4931392583	CARBON BRUSH SET
0014	acdefghj	1	4931622988	WIRE	0131gh	1	4931361733	CARBON BRUSH SET
0016	a....g.j	1	4931355128	TYPE PLATE	0135	a....g.j	1	4931346770	SWITCH

Repairs/modification and testing of electric power tools are to be carried out by specialists. The safety regulations according to DIN/VDE/CEE/AFNOR and other regulations valid in the different countries are to be observed.

A & M Electric Tools

Ind	Product No.	Type	Voltage	Country	Ind	Product No.	Type	Voltage	Country
a	4000330076	ST500	220-240V	IN2					
c	4000346020	ST500	240V	AUS					
d	4000340834	ST500	240V	GB2					
e	4000361496	ST500	110-127V	IN1					
f	4000330979	ST400	230V	IN2					
g	4000361086	ST500	220V	ROK					
h	4000375005	ST500	220-240V	CHI					
j	4000403166	ST500	220-240V	IR2					

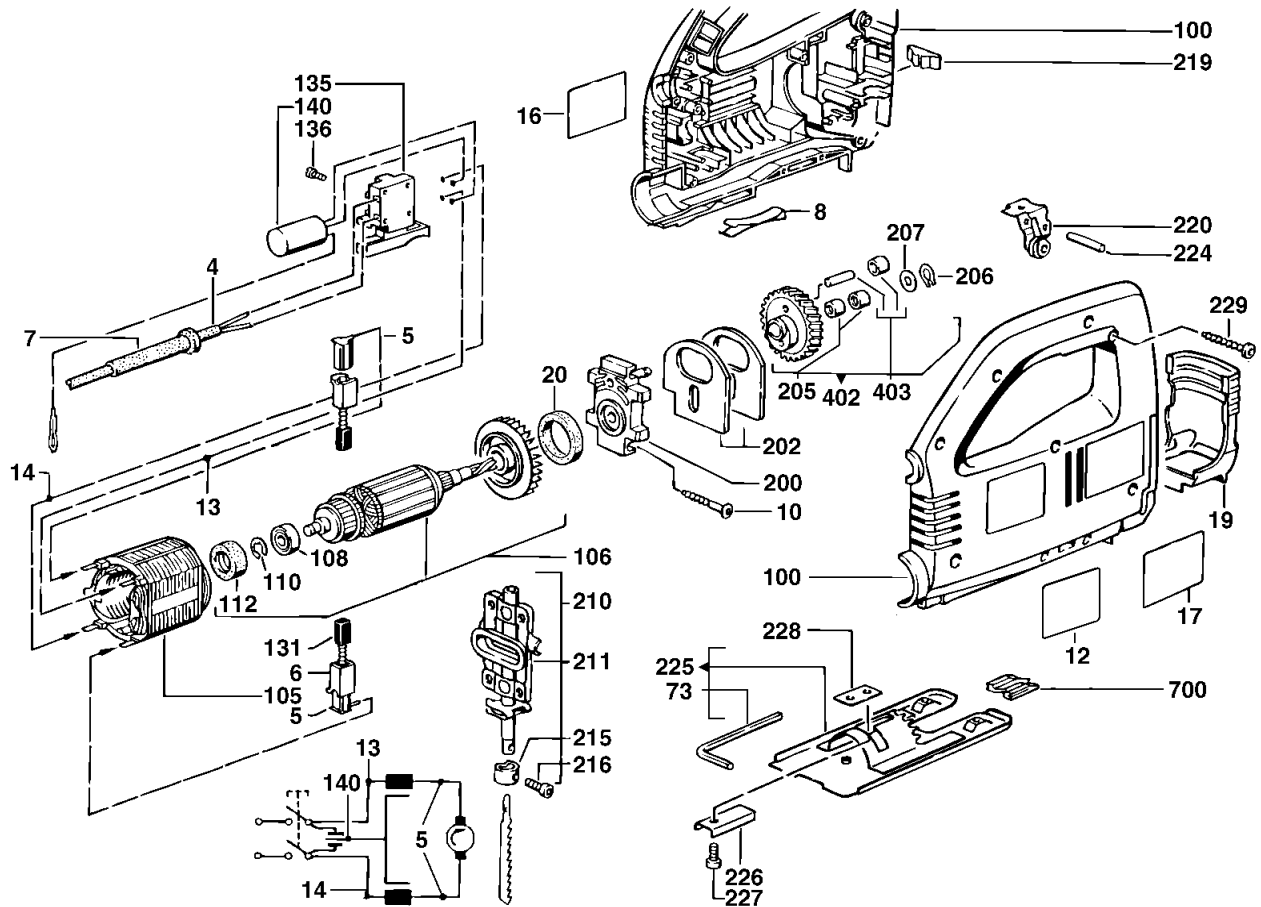
Jig Saws

AEG

ST 500

ST 400

Exp.view No. Version Date Page
4926 3300 82 0013 07.06.06 2/2



Pos	Index	Quanti	Article No.	Designation
0135	.cdef.h.....	1	4931346770	SWITCH
0136	acdefghj.....	2	4931621772	SCREW
0140	acdefghj.....	1	4931271718	CAPACITOR
0200	acdefghj.....	1	4931330884	BEARING BRACKET
0202	acdefghj.....	2	4931330483	BALANCE WEIGHT
0205	acdefghj.....	2	4931219422	NEEDLE BEARING
0206	acdefghj.....	1	4931605092	RING
0207	acdefghj.....	1	4931621830	DISC
0210	acdefghj.....	1	4931330853	RAM
0211	acdefghj.....	1	4931330164	RAM
0215	acdefghj.....	1	4931300055	RAM COLLAR
0216	acdefghj.....	1	4931300699	SCREW
0219	acdefghj.....	1	4931330474	PLATE SPRING
0220	acdefghj.....	1	4931330051	HOLDER
0224	acdefghj.....	1	4931621888	PIN
0225	ac...ghj.....	1	4931375233	GROUND PLATE
0225	.def.....	1	4931375233	GROUND PLATE
0226	acdefghj.....	1	4931300395	THRUST PIECE
0227	acdefghj.....	1	4931606842	SCREW
0228	acdefghj.....	1	4931330130	NUT
0229	a...g.j.....	9	4931618253	SCREW
0229	.cdef.h.....	9	4931618253	SCREW

Pos	Index	Quanti	Article No.	Designation
0402	acdefghj.....	1	4931361385	SPROCKET
0403	acdefghj.....	1	4931361386	REPAIR KIT
0700	acdefghj.....	1	4932354367	ANTI-CHIPPING DEVI.

Repairs/modification and testing of electric power tools are to be carried out by specialists. The safety regulations according to DIN/VDE/CEE/AFNOR and other regulations valid in the different countries are to be observed.